

LEGEND OF SYMBOLS

- EXISTING 416V UNDERGROUND DUCTBANK
- NEW 416V PFC CABLE
- EXISTING 416V CABLE
- TRANSFORMER
- NEW 416V CABLE PORTHEAD
- EXISTING 416V CABLE PORTHEAD
- LOADBREAK DISCONNECT SWITCH
- FUSE
- NEW GROUND CONNECTION / STRIPUP
- EXISTING GROUND CONNECTION / STRIPUP
- Y-SPLICE TERMINATION
- EXISTING UNDERGROUND MAINTENANCE PANEL

This drawing must not be scaled. The contractor shall verify all dimensions, elevations, and levels prior to construction. All dimensions and levels are to be reported immediately to the Consultant. Variations and modifications to the drawing shall be reported immediately to the Consultant. All work shall be done in accordance with the drawings and specifications of MARSHALL MACKLIN MONAGHAN LIMITED and it shall not be reproduced in any form without a written consent.

AS-BUILT DRAWING	08.10.98 N.P.
ISSUED FOR CONSTRUCTION	08.11.98 M.P.
FOR CONSTRUCTION	09.30.97 F.M.
ADDENDUM No.1	09.03.97 F.M.
ISSUED FOR REVIEW	01.03.97 F.M.
No. Revisions	0
Drawn By	
Checked By	

CONTRACTOR SHALL VERIFY ALL DIMENSIONS ON SITE. ALL DIMENSIONS SHALL BE USED FOR CONSTRUCTION PURPOSES. ALL DIMENSIONS SHALL BE TO FACE UNLESS OTHERWISE NOTED.

EXHIBITION PLACE

Marshall Macklin Monaghan

NATIONAL TRADE CENTRE EXHIBITION PLACE

4160 VOLT CABLE REPLACEMENT COLISEUM COMPLEX

DATE 15 SEPTEMBER 97

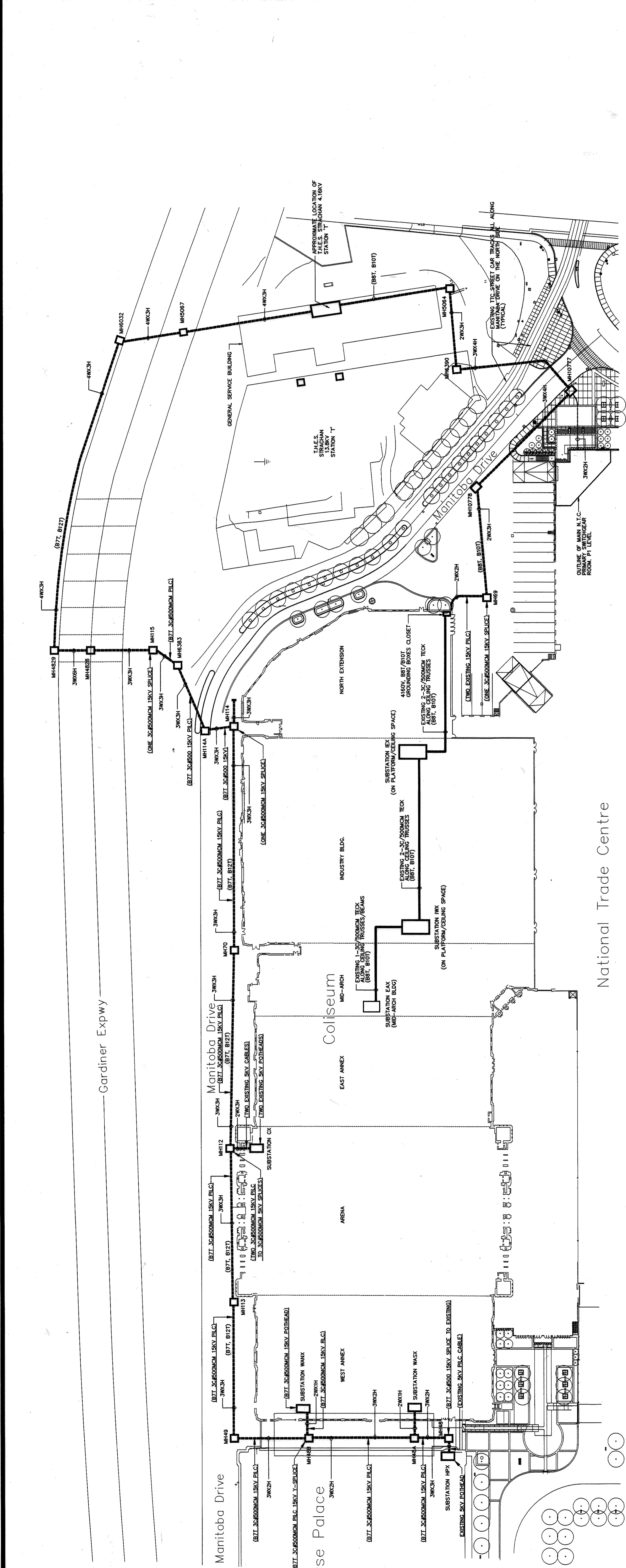
Scale AS NOTED

Project No. NTC-C-218

Drawing No. E1

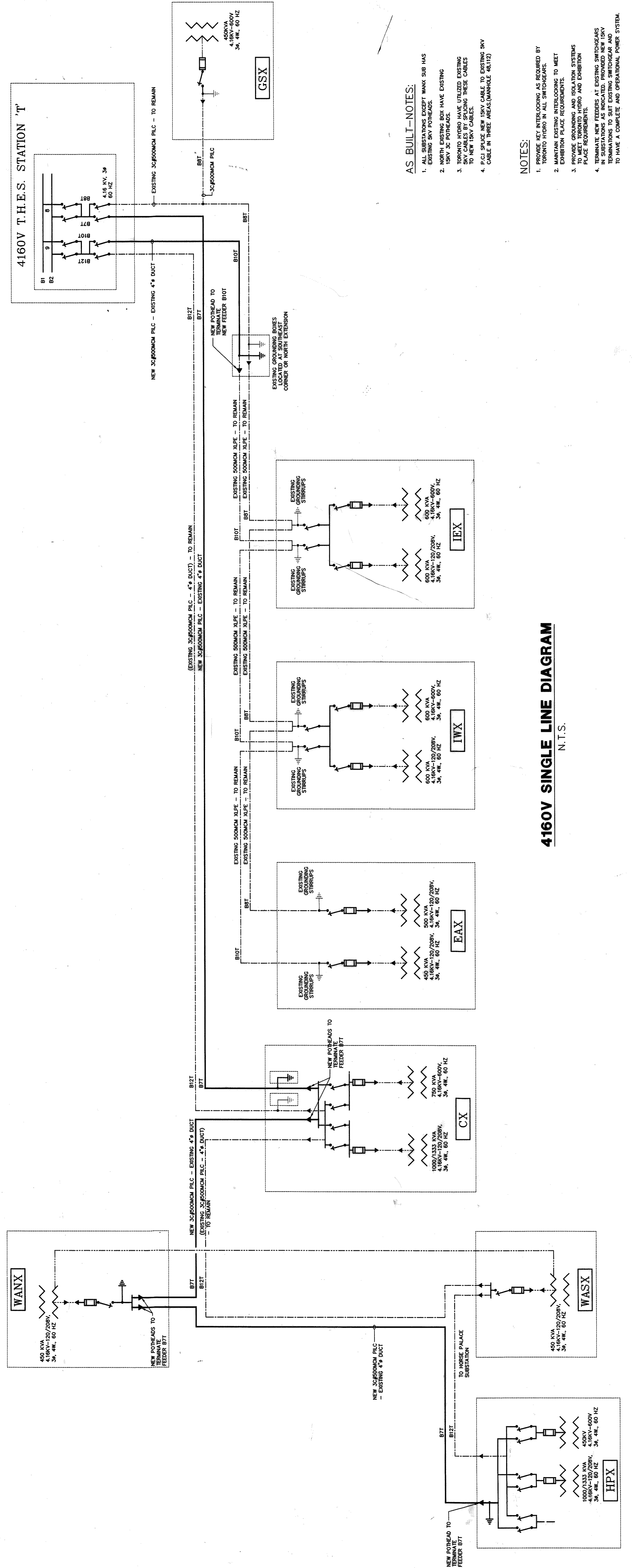
DATE PLOTTED: 11:05 AUG 19 1998

ACAD FILE NAME: A\ELECT\116-9703\VASBLT1



SITE PLAN - 4160V CABLING SYSTEM
SCALE 1:750

National Trade Centre



- AS BUILT-NOTES:**
- ALL SUBSTATIONS EXCEPT WAXX SUB HAS EXISTING SKY PORTHEADS.
 - NEW SKY PORTHEADS HAVE EXISTING SKY CABLES BY SPlicing THESE EXISTING SKY CABLES TO NEW SKY CABLE TO EXISTING SKY CABLE IN THREE AREAS (MANHOLE 4812)

- NOTES:**
- TERMINATE NEW FEEDERS AS REQUIRED BY TORONTO PDPO IN ALL SWITCHGEARS.
 - MAINTAIN EXISTING INTERLOCKING TO MEET EXHIBITION PLACE REQUIREMENTS.
 - PROVIDE GROUNDING AND ISOLATION SYSTEMS TO MEET TORONTO PDPO AND EXHIBITION PLACE REQUIREMENTS.
 - TERMINATE NEW FEEDERS AT EXISTING SWITCHGEARS AND MAINTAIN EXISTING INTERLOCKING TO MEET EXHIBITION PLACE REQUIREMENTS TO HAVE A COMPLETE AND OPERATIONAL POWER SYSTEM.

4160V SINGLE LINE DIAGRAM
N.T.S.